

ECD360

1/3" Color Built-in Fixed or Vari-Focal Lens DOME Camera



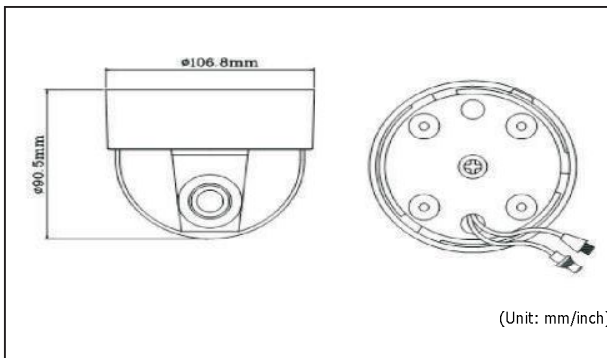
Features

- Color dome camera with Sony 1/3" Super HAD CCD sensor.
- Employs Digital Signal Processor (DSP) Chip-set for image control.
- Pixel number: NTSC=380K / PAL=440K.
- High sensitivity, low smear, High anti-blooming and high S/N ratio.
- Build-in functions: Auto Electronic Shutter (AES), Auto Gain Control (AGC),
- Auto White Balance (AWB). Models with Built-in fixed lens or Vari-focal DC-drive auto iris lens Furnished with DC power cable and video cable.

Specifications

Image Pick-up Device	SONY 1/3" Super HAD CCD High Resolution
Effective Picture Elements	NTSC: 768*494, PAL: 752*582 (H*V)
Horizontal Resolution	540 TV lines
Minimum Illumination	0.12 LUX @ F1.6
S/N Ratio	More than 48 dB
Auto Electronic Shutter	NTSC: 1/60s, PAL: 1/50s.
Gamma Characteristic	0.45
Lens Furnished	3.6mm Board or 3.5~8.5mm/F1.6 Vari-Focal DC drive auto iris lens
Gain Control	Automatically
White Balance	Automatically (2500°K~9500°K)
Synchronous System	Negative sync. Internal
Video Output	1 Vp-p Composite Video / 75 ohm
Power Supply	DC 12V / 150 mA
Operating Temp.	-10° C to 50° C (14° F to 122° F)
Dimensions	107mm 90mm

Dimensions



Ordering Information

ECD 360 : 1/3" Sony Color HAD CCD high resolution 540 TVL, 0.12 LUX @F1.6, 3.6mm board lens or 3.5~ 8.5mm/F1.6 Variefocal lens, dc drive auto Iris lens. 12VDC